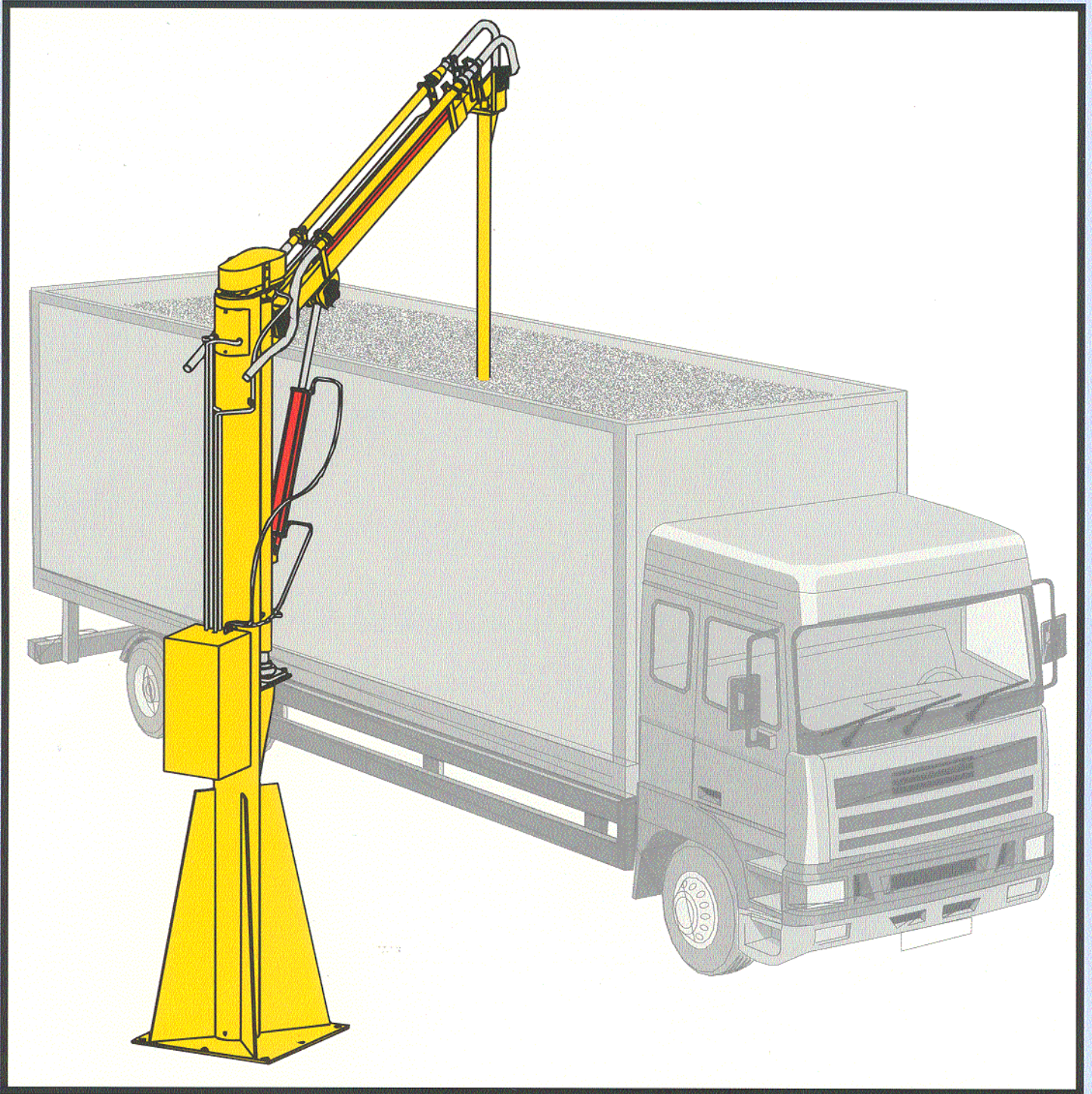




APOLLO Truck / Rail Probes



Truck Probes for All Applications
Gamet Manufacturing Company



The Apollo Line

Features and Specifications

KEY

Black Copy	ALL Models
Blue Copy	Model 610A
Red Copy	Model 17
Gray Copy	Model 21

Inside Boom
 2.5" x 3.5" x .18" thick
 3.5" x 3.5" x .18" thick
 4.0" x 4.0" x .38" thick

Telescoping Tube Assembly
 For Sample Conveying

Hydraulic Cylinder
 In/Out Movement

Rotation Drive
 Includes Hydraulic Motor,
 Chain & Sprockets

Outside Boom
 3.0" x 4.0" x .18" thick
 4.0" x 4.0" x .18" thick
 5.0" x 5.0" x .38" thick

Flange Bearings
 For Durable, Smooth Movement

Sample Probe
 Core Style Shown

Hydraulic Hose
 Wire Braided with Steel Fittings

Hydraulic Cylinder
 Up/Down Movement

Cylinder Pivot
 Reinforced, Long Wearing Bushing

Rotating Mast
 3.5" dia. x .50" thick
 4.5" dia. x .50" thick
 5.5" dia. x .75" thick

Hydraulic Valve Assembly
 Hydraulic Valves, Manifold,
 Flow Controls ,
 and Electric Terminal Block

Rotating Mast Support
 4 Bolt Flange Bearing

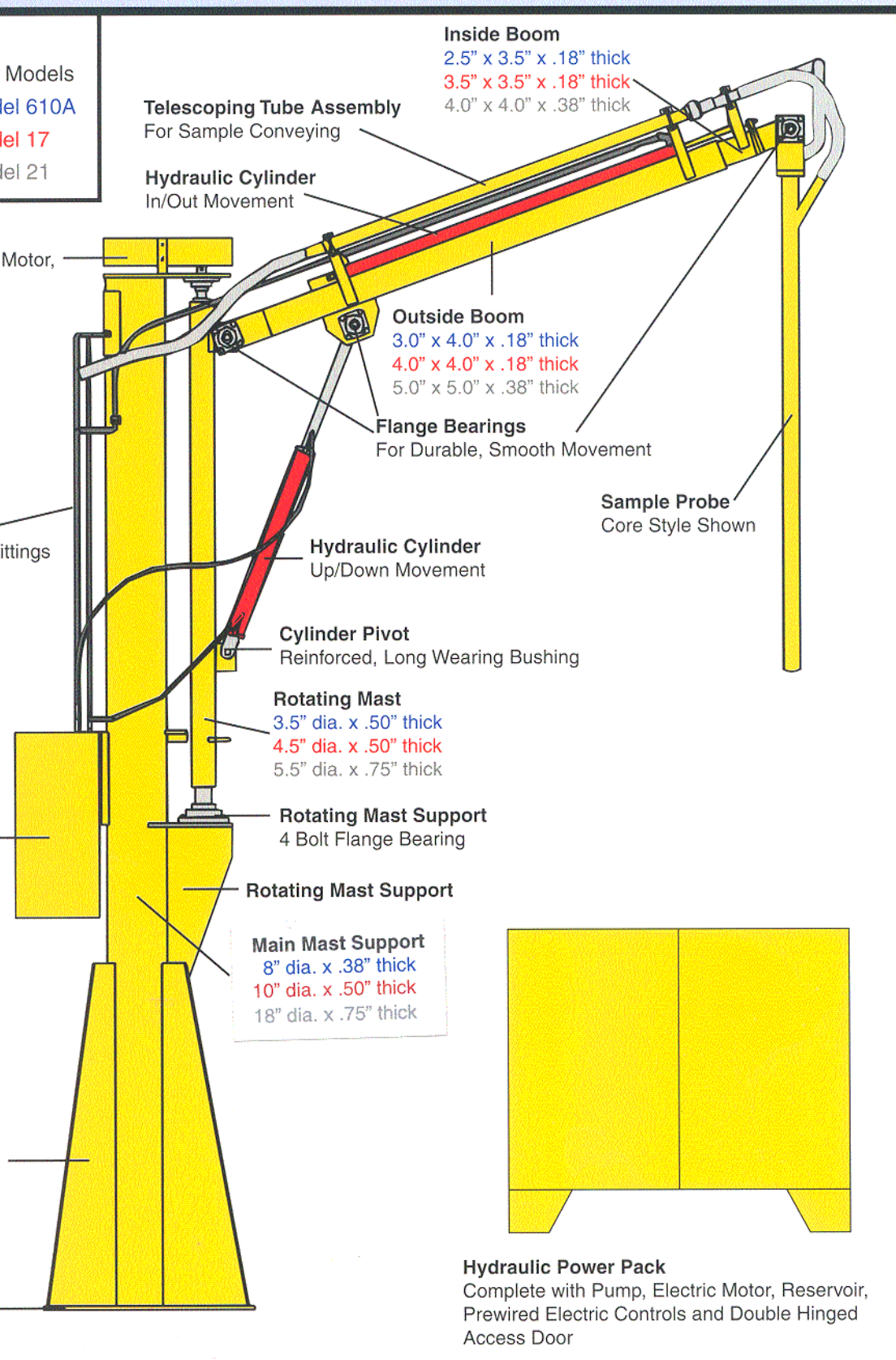
Rotating Mast Support

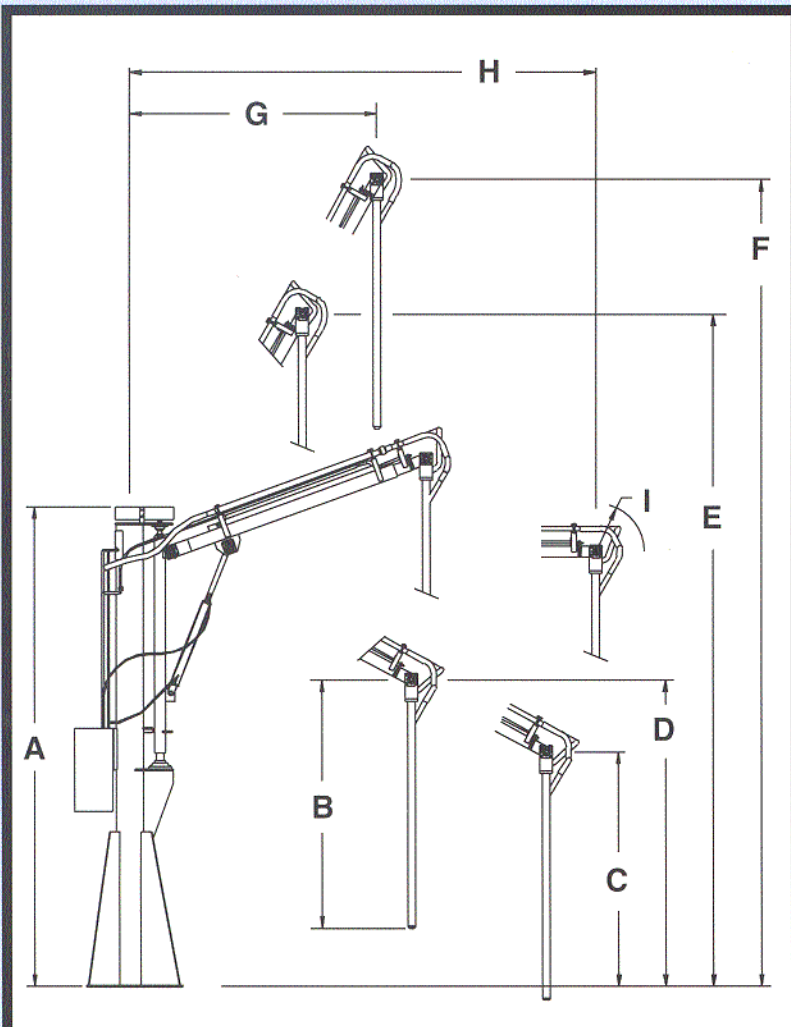
Main Mast Support
 8" dia. x .38" thick
 10" dia. x .50" thick
 18" dia. x .75" thick

Support Gussets
 .38" thick x 48" high
 .50" thick x 48" high
 .50" thick x 84" high

Base
 30" x 30" x .50"
 36" x 36" x .75"
 48" x 48" x 1.0"

Hydraulic Power Pack
 Complete with Pump, Electric Motor, Reservoir,
 Prewired Electric Controls and Double Hinged
 Access Door

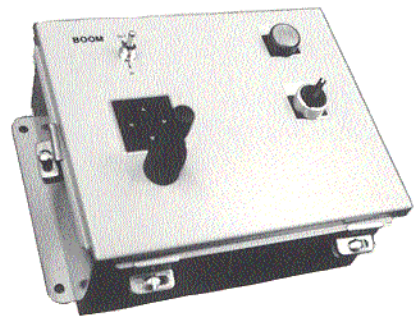




DIMENSIONAL DATA

MODEL #	A	B	C	D	E	F	G	H	I
610A	150	78	73	96	210	252	98	146	12
17	163	90	88	109	226	270	72	154	12
21	242	138	96	143	338	394	264	278	12

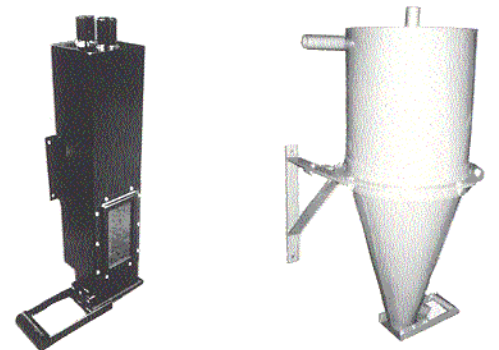
Electric Controller



Joystick Control Box

Gamet provides as standard equipment a joystick style control enclosure as shown above.

Standard Collector Cyclone Collector



Collection Devices

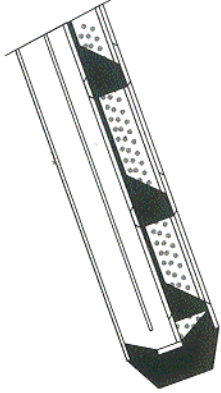
Gamet provides two styles of collection cabinets. You can choose the standard collection cabinet or the optional cyclone style collector that handles product without impact.

Specifications

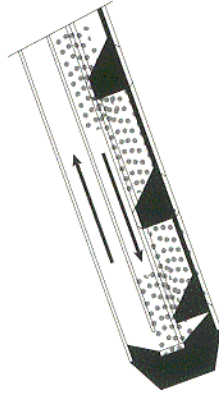
610A	17	21
<p>Hydraulic Data</p> <p>Electrical: 2 HP, TEFC, 230V, 1PH, 10Amp 2 HP, TEFC, 230/460V, 3PH, 3/8 Amp</p> <p>Pump Data: Gear Pump, 850 PSI, 3.6 GPM 5.2 gallon reservoir</p> <p>Controls 115V, 30 Amp, 1PH</p> <p>Vacuum Two-Stage by-pass, 7/8 HP, 1 PH, 104 CFM 110" water, 13 Amp</p> <p>Concrete Base 36" square x 60" deep</p> <p>Shipping Weight 2420 lbs.</p>	<p>Electrical: 5 HP, TEFC, 230/460V, 3PH, 7/14 Amp</p> <p>Pump Data: Gear Pump, 850 PSI, 4 GPM 10.2 gallon reservoir</p> <p>115V, 30 Amp, 1PH</p> <p>Two-Stage by-pass, 7/8 HP, 1 PH, 104 CFM 110" water, 13 Amp</p> <p>44" square x 60" deep</p> <p>3160 lbs.</p>	<p>Electrical: 10 HP, TEFC, 230/460V, 3PH, 13/26 Amp</p> <p>Pump Data: Gear Pump, 1200 PSI, 9.2 GPM 17.9 gallon reservoir</p> <p>115V, 30 Amp, 1PH</p> <p>Two-Stage by-pass, 7/8 HP, 1 PH, 104 CFM 110" water, 13 Amp</p> <p>60" square x 60" deep</p> <p>7600 lbs.</p>

Probe Tips

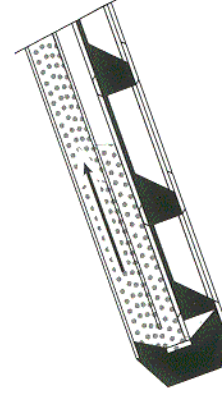
Compartmentalized Style



Upon insertion of the probe into the load, the internal tube rotates 180 degrees, allowing material to fill into the 4" x 7/8" port openings.

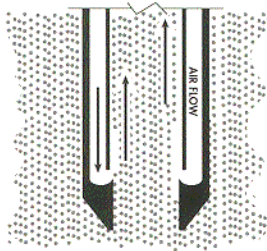


The internal tube rotates the opposite direction, allowing product to flow into the center cavity.



The product is conveyed pneumatically through the probe's evacuation cavity. This can be done both during probe retraction or while it is in the load.

Core Style



A combination of air and sampled product flow to the sample collection device. Properly adjusted, the core style probe is the most accurate available.

Accessories

- ◇ 8" & 12" diameter traffic signal lights
- ◇ Video Monitoring systems (B & W and color)
- ◇ Intercom systems (Stand alone or for use with video kit)
- ◇ Excess sample return systems
- ◇ Ticket return systems
- ◇ Remote hand held controller
- ◇ Flood lights
- ◇ Vacuum systems for unusually long conveying lines
- ◇ Extra length booms / probes

Gamet Manufacturing Co. has been supplying top quality mechanical sampling equipment for grain and other agricultural products for over 61 years. Our understanding of the sampling needs of the industry make Gamet a very reliable source for truck/rail probes and other types of sampling devices.

Gamet produces three models of Apollo probes. Each of these probes is available custom fabricated to suit your individual needs and with a wide variety of accessory equipment. The Model 610A is a heavy duty probe designed for use in facilities with a moderate to heavy volume of trucks. Our Model 17 is designed for use in large terminal facilities and processing plants with very heavy truck volumes. The Model 21 is our rail probe. It is frequently installed to probe railcars on one side and trucks on the opposite side. It is the heaviest and most durable probe available to the industry. All Gamet probes are built to withstand many years of use and are the most durable in the industry.

Gamet also offers service after the sale. We have both installation and on site service of our systems available to you. Extensive training of personnel, creating and maintaining a consistent parts inventory and our commitment to our customers, makes Gamet the right choice for you and your sampling needs, now and in the future.



Gamet Manufacturing Company

Division of Seedbuero Equipment Company

1211 Pierce Butler Route, Saint Paul, Minnesota 55104

(651) 647-5410 • Fax (651) 647-5412

e-mail: tprobes@gametmfg.com